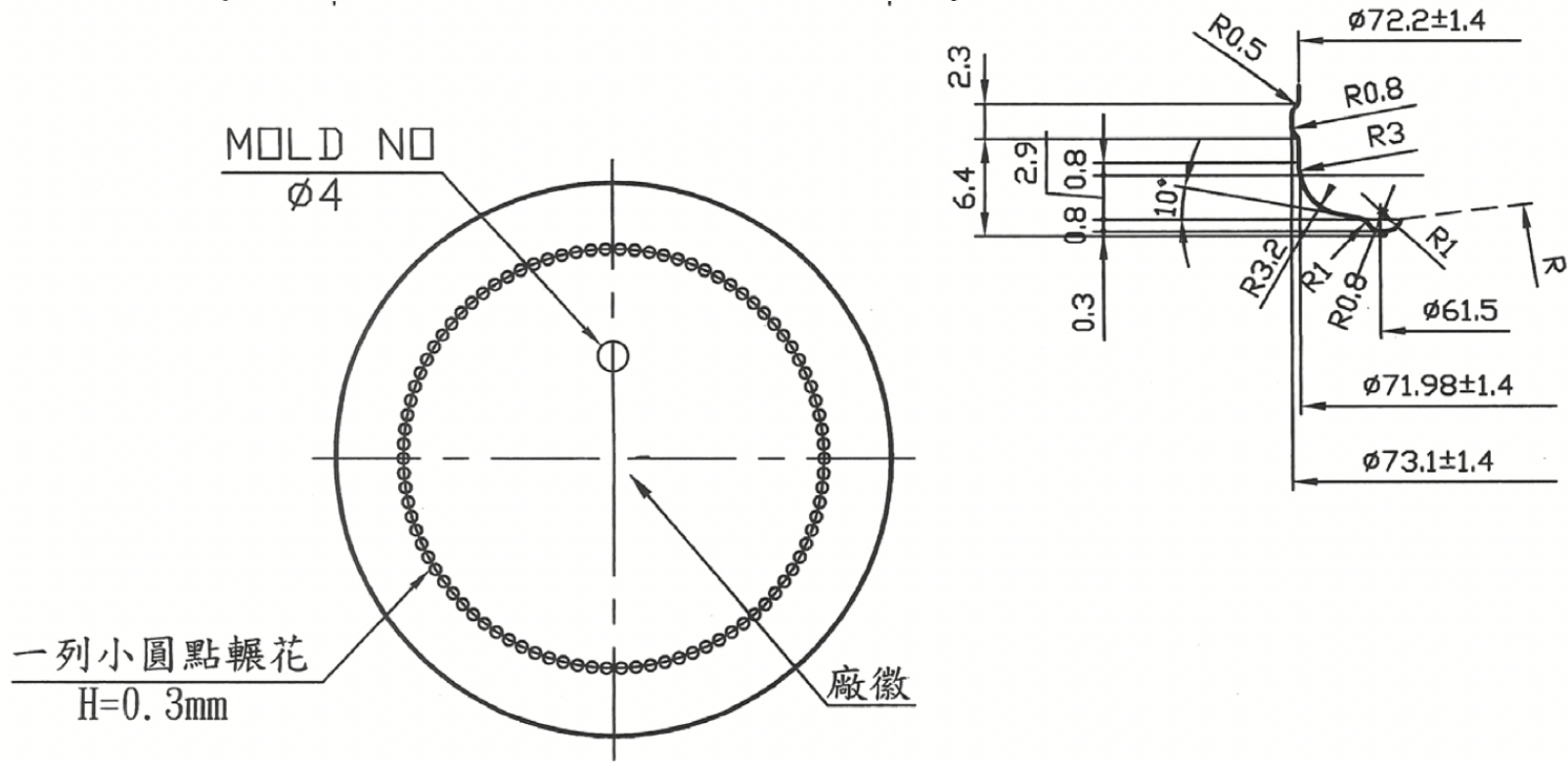


PITCH=4.23mm  
 WIDTH=2.5 mm  
 TURN = 1

T=2.48mm

SPECIFICATIONS	
WEIGHT	170±9 g
NET CAP	ml
O. FLOW CAP	283.1±5 ml
FILL POINT	DOWN



ITEM #: 5001B61-BALT

ITEM NAME: 9 OZ AMBER GLASS STRAIGHT SIDED SQUAT JARS

MATERIAL TYPE: GLASS

CAPACITY: 9 OZ (266 ML)

SHAPE: ROUND

CAP SIZE: 70-400

NECK FINISH: CONTINUOUS THREAD

"S" 70 M.M./400 CAP

"T"	"E"	"H"	"A"	"B"
2.750	2.650	.385	2.850	.450
MATERIAL: POLYPROPYLENE				
WEIGHT: 7.8 GRAMS "AVERAGE"				

TOLERANCE: +/- .010

ITEM #: 3303C19BLK

ITEM NAME: 70-400 BLACK PP SMOOTH CAPS

MATERIAL TYPE: PP

COLOR: BLACK

LINING: PE FOAM

CAP SIZE: 70-400

CAP STYLE: CONTINUOUS THREAD - PP